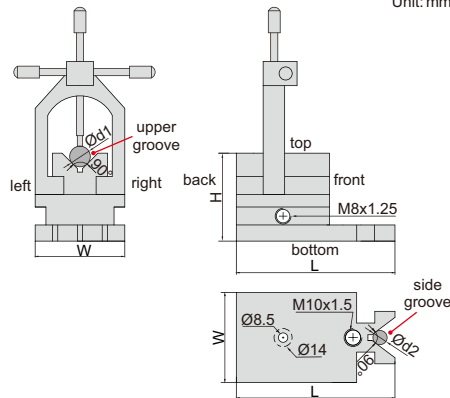
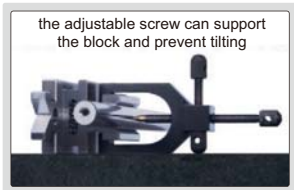


V-BLOCK

Unit: mm



- Hold cylindrical workpieces for inspection and machining
- Hardened to HRC60±2

Code	Size (LxWxH)	Range of shafts ($\varnothing d1$ and $\varnothing d2$)	Parallelism of upper groove to bottom, left and right sides	Squareness of upper groove to back side	Parallelism of side groove to back side
6804-M2	90x48x48mm	5-33mm	5 μ m	5 μ m	5 μ m