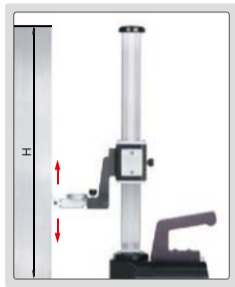
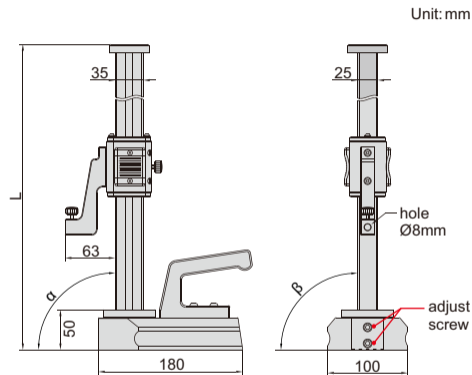


# PERPENDICULARITY TESTER



- Optional accessory:  
dial test indicators (graduation: 1 $\mu$ m or 2 $\mu$ m),  
cylinder square (code **4710**, for calibration),  
granite square (code **4141**, for calibration)



Code	Range (H)	Perpendicularity ( $\alpha$ )	Side perpendicularity( $\beta$ )	L
<b>4770-300</b>	0-300mm	3 $\mu$ m	10 $\mu$ m	460mm
<b>4770-600</b>	0-600mm	5 $\mu$ m	20 $\mu$ m	760mm