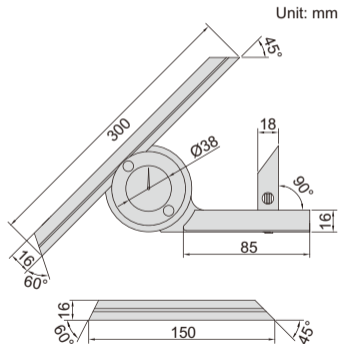
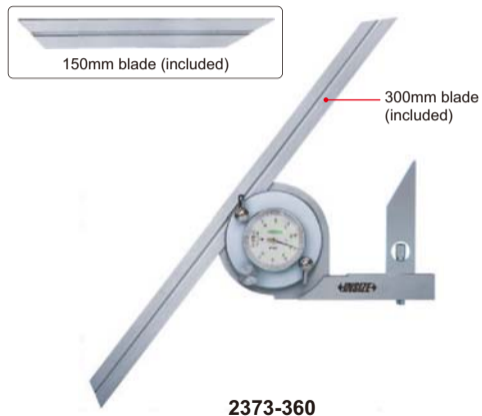
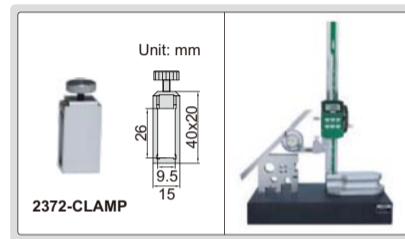


# DIAL PROTRACTOR



## clamp for height gages



- Made of stainless steel
- Optional accessory: clamp (code **2372-CLAMP**), suitable for height gages **1156**, **1351** and **1250**

Code	Range	Graduation	Accuracy
<b>2373-360</b>	0 - 360°	5'	±5'