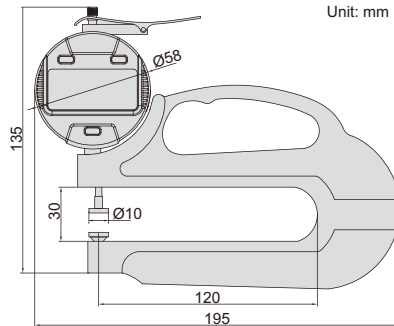


DIGITAL THICKNESS GAGE

- Ceramic spindle tip and anvil
- Buttons: on/off, zero, mm/inch
- Battery CR2032, automatic power off
- Data output
- Optional accessory: data output cable (code **7306-40**, **7302-SPC3A**, **7305-SPC1A**)



2872-10

Code	Range	Resolution	Accuracy
2872-10	0-10mm/0-0.4"	0.01mm/0.0005"	± 0.02 mm