

# GRANITE DIAL INDICATOR STAND

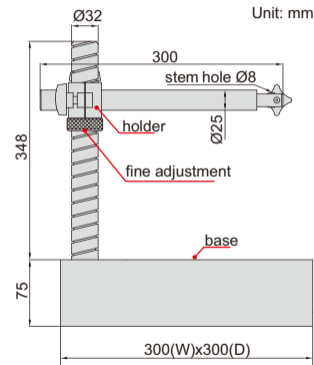
supplied with  
dust cover



- Vertical travel of holder: 250mm
- Fine adjustment range: entire stroke
- Supplied with dust cover



6867-250



Code	Applicable holding stem	Base
6867-250	$\text{Ø}8\text{mm}$	flatness $2.8\mu\text{m}$