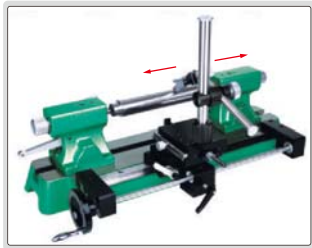
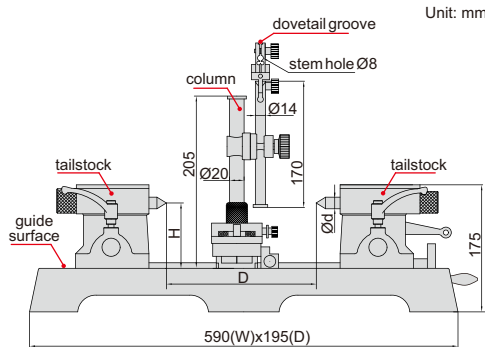


# BENCH CENTER WITH STRAIGHTNESS MEASUREMENT

straightness measurement



- Hardened cast-iron guide surface



Code	Horizontal parallelism	Vertical parallelism	Accuracy of straightness measurement	Center height(H)	Distance between two centers(D)	Diameter of center(Ød)	Taper of center	Weight	Load
4723-300	4µm	6µm	0.01mm	90mm	300mm	12.3mm	MT1	38kg	25kg