

# SIDE TYPE DIAL TEST INDICATOR

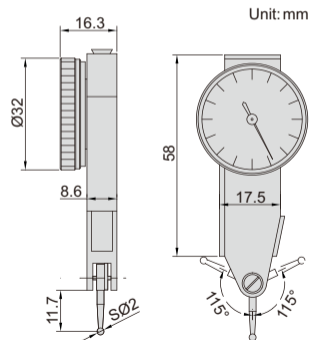


2898-08

- Ceramic bearing
- Anti magnetic carbide contact point
- Two measuring directions
- Supplied with one clamp: diameter Ø8mm
- Optional accessory: styli (page 106)

Code	Range	Graduation	Accuracy	Hysteresis	Dial reading
2898-08*	0.8mm	0.01mm	13µm	3µm	0-40-0

\* Supplied with manufacturer inspection certificate traceable to NIST USA



ANTI MAGNETIC  
CARBIDE CONTACT POINT

