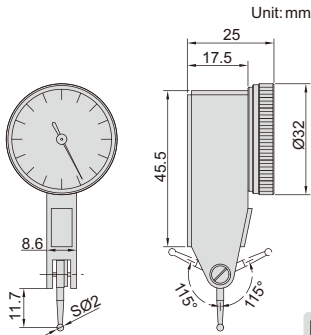




## DIAL TEST INDICATOR

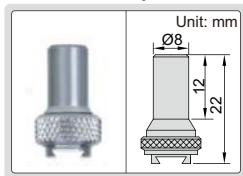
ANTI MAGNETIC  
CARBIDE CONTACT POINT

- Ceramic bearing
- Anti magnetic carbide contact point
- Two measuring directions
- Supplied with one clamp: diameter  $\varnothing 8\text{mm}$
- Optional accessory: styli (page 106)



2895-08

clamp



Code	Range	Graduation	Accuracy	Hysteresis	Dial reading
2895-08*	0.8mm	0.01mm	13 $\mu\text{m}$	3 $\mu\text{m}$	0-40-0

\* Supplied with manufacturer inspection certificate traceable to NIST USA