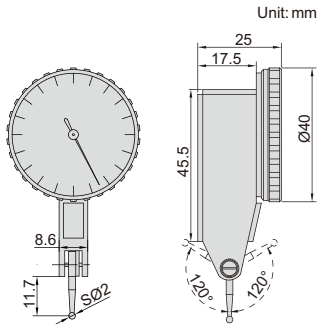




PRECISION DIAL TEST INDICATOR

- Ceramic bearing
- Two measuring directions
- Supplied with one clamp: diameter Ø8mm
- Optional accessory: styli (page 106)



ruby contact point of 2880-02R



2880-02

Code	Range	Graduation	Accuracy	Hysteresis	Dial reading	Remark
2880-02*	0.2mm	0.002mm	4µm	2µm	0-100-0	anti magnetic carbide contact point
2880-02R*	0.2mm	0.002mm	4µm	2µm	0-100-0	ruby contact point

* Supplied with manufacturer inspection certificate traceable to NIST USA

clamp

