



BACK PLUNGER TYPE DIAL INDICATOR

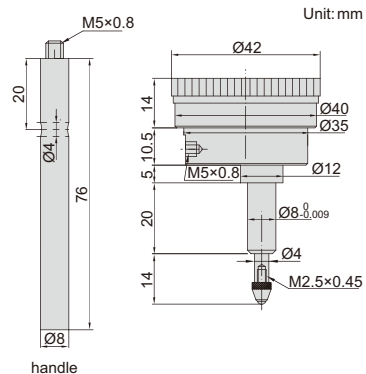
with handle



- Supplied with handle
- With limit pointers
- Optional accessory: contact points (page 98~100)



2357-5



Code	Range	Graduation	Accuracy	Hysteresis	Range/rev	Dial reading
2357-5*	5mm	0.01mm	15µm	5µm	1mm	0-100

* Supplied with manufacturer inspection certificate traceable to NIST USA