

BORE GAGE SET



dial comparator is not included



2423-S2

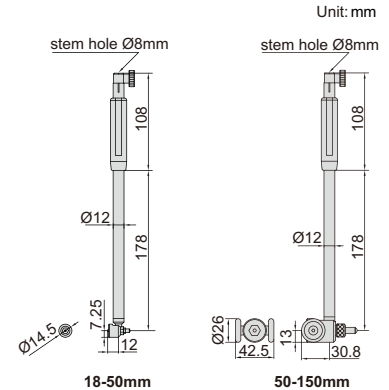
- Includes bore gages 18-50mm and 50-150mm
- Optional accessory:
 - 0.01mm or 0.001mm graduation dial indicator or dial comparator
 - Setting ring (code 6312)
 - Long handle (code 7352)



18-50mm



50-150mm



| Code | Range | Accuracy (without dial comparator) | Repeatability (without dial comparator) |
|---------|------------|------------------------------------|---|
| 2423-S2 | 18 - 150mm | 4µm | 2µm |