

# DIAL BORE GAGE



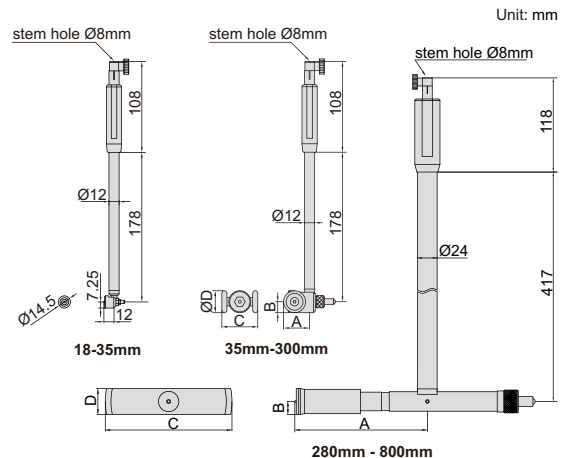
dial comparator  
is not included

contact points



2422-150

- Applicable for 0.01mm or 0.001mm graduation dial indicators
- Optional accessory:
  - Dial indicator or dial comparator
  - Setting ring (code **6312**)
  - Long handle (code **7352**)



Code	Range	Accuracy (without dial comparator)	Repeatability (without dial comparator)
2422-35	18-35mm	4µm	2µm
2422-60	35-60mm	4µm	2µm
2422-150	50-150mm	4µm	2µm
2422-300	150-300mm	4µm	2µm
2422-510	280-510mm	3µm	1.5µm
2422-800	400-800mm	3µm	1.5µm

Range	A	B	C	D
35-60mm	19.5	10.5	28	21
50-150mm	30.8	13	42.5	26
150-300mm	30.8	13	76.5	26
280-510mm	164	16	156	32
400-800mm	305	18	300	36