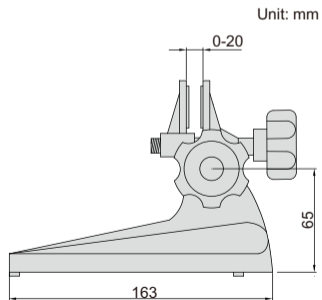


MICROMETER STAND

- Suitable for micrometers up to 100mm

Code

6301



6301