

# DIAL DEPTH GAGE

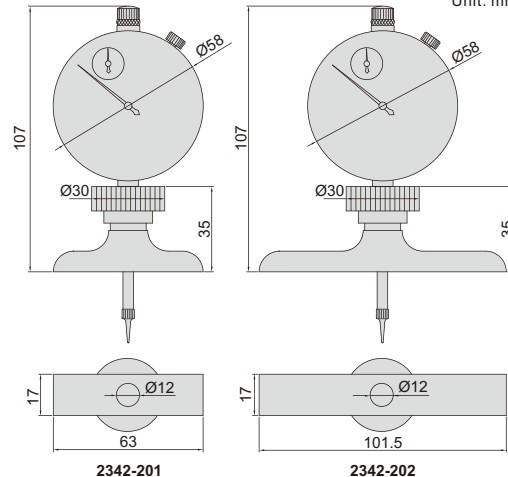


**2342-202**

- Dial indicator graduation: 0.01mm
- Accuracy:  $\pm 0.03\text{mm}$
- Stainless steel base
- Extension rods: 25mm (1pc), 50mm (1pc), 75mm (1pc), 100mm (2pcs)
- Supplied with pointed tip and ball tip

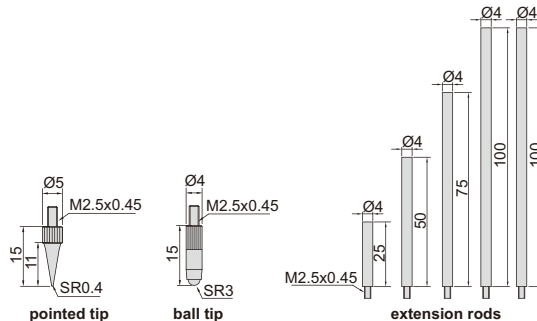
Code	Range	Dial indicator stroke	Base
<b>2342-201</b>	0-300mm	30mm	63x17mm
<b>2342-202</b>	0-300mm	30mm	101.5x17mm

Unit: mm



**2342-201**

**2342-202**



**pointed tip**

**ball tip**

**extension rods**