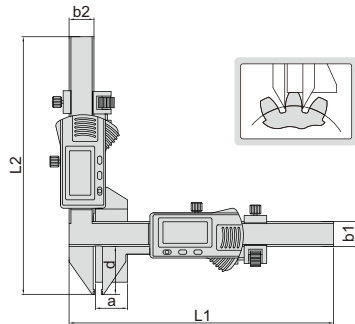


**DATA
OUTPUT**

- Resolution: 0.01mm/0.0005"
- Carbide tips
- Buttons: zero, on/off, mm/inch
- Battery LR44
- Data output
- Made of stainless steel
- Optional accessory: data output cable (code 7306-20, 7302-SPC1A/SPC1B, 7305-SPC2A)



(mm)

Code	Range	Accuracy	L1	L2	a	b1	b2	d
1181-M25A	M1-25mm	±0.04mm	170	165.5	21	16	16	30.5
1181-M50A	M5-50mm	±0.04mm	220	190	50.5	16	16	55

DIGITAL GEAR TOOTH CALIPER



1181-M25A