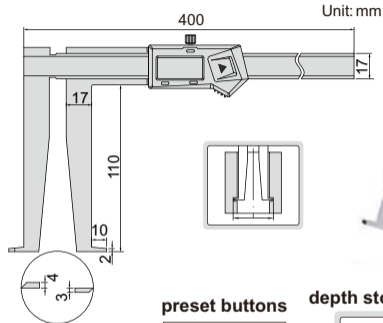


DIGITAL INSIDE GROOVE CALIPER

- Measure diameter of grooves inside bores
- Resolution: 0.01mm/0.0005"
- Buttons: on/off, set, mm/inch, preset (+, -)
- Automatic power off, move the digital unit to turn on power
- Battery CR2032
- Data output
- Made of stainless steel
- Optional accessory: depth stop (code **6143**), data output cable (code **7306-20**, **7302-SPC5A/SPC5B**, **7305-SPC2A**)



1178-300

Code	Range	Accuracy
1178-300	25-300mm/1.18-12"	±0.05mm

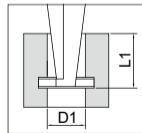
preset buttons



depth stop 6143(optional)



sizes to be measured



(mm)	
D1	L1
Ø25	<50
Ø26	<60
Ø27~300	<110